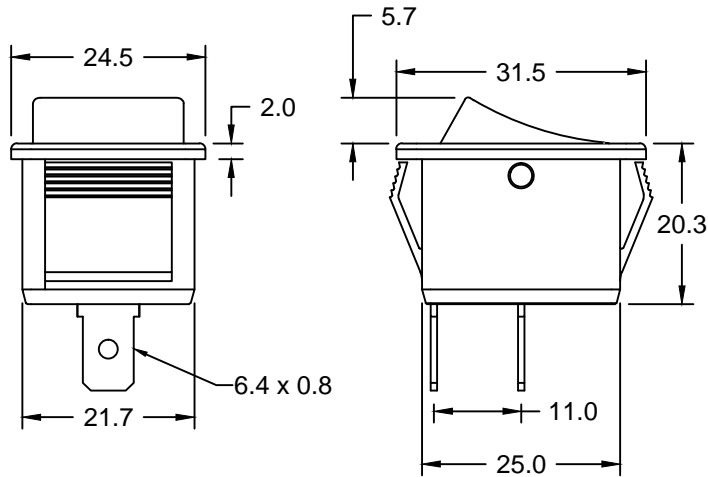
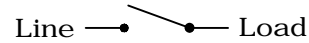


AS 1S NON ILLUMINATED SPST ROCKER SWITCH



SPST Non Illuminated Rocker Switch Electrical Circuit Diagram



Approvals

CE - As per IEC / EN 61058 - 1

Reference Standards : IEC / EN 61058 - 1
UL - 1054

Body Colour

Black
White
Grey

Rocker Colour

Black Red Blue
White Yellow
Grey Green

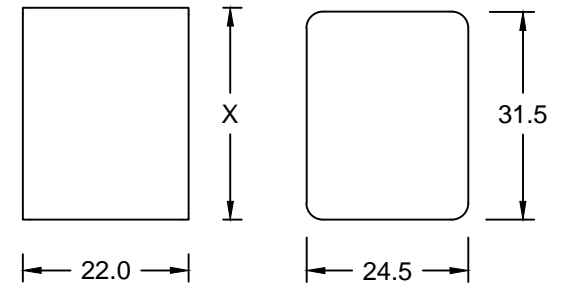
MATERIAL OF CONSTRUCTION

BODY : Nylon 66 (Unfilled)
Flammability UL 94 V-2
ROCKER : Nylon 66 (Unfilled) / PC
Flammability UL 94 V-2
CONTACTS : Silver / Silver Alloy
Copper
TERMINALS : Copper / Copper Alloy
SPRING : Stainless Steel

RoHS Compliant

PANEL CUT-OUT SIZE

BEZEL



DIMENSIONS FOR SNAP - IN MOUNTING

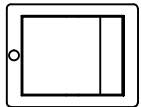
PANEL THICKNESS	DIMENSION X
0.75 - 1.25	30.0
1.25 - 2.00	30.2
2.00 - 3.00	30.4

* Panel Cut-outs must be punched in the direction of insertion

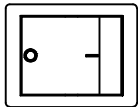
PRINTING OPTIONS

RATING

09



03



6 Amp, 250V AC
16 Amp, 250V AC

* Customized Printing options
available on request

ASTRON
SWITCH CRAFT
An ISO 9001:2015 Certified Company